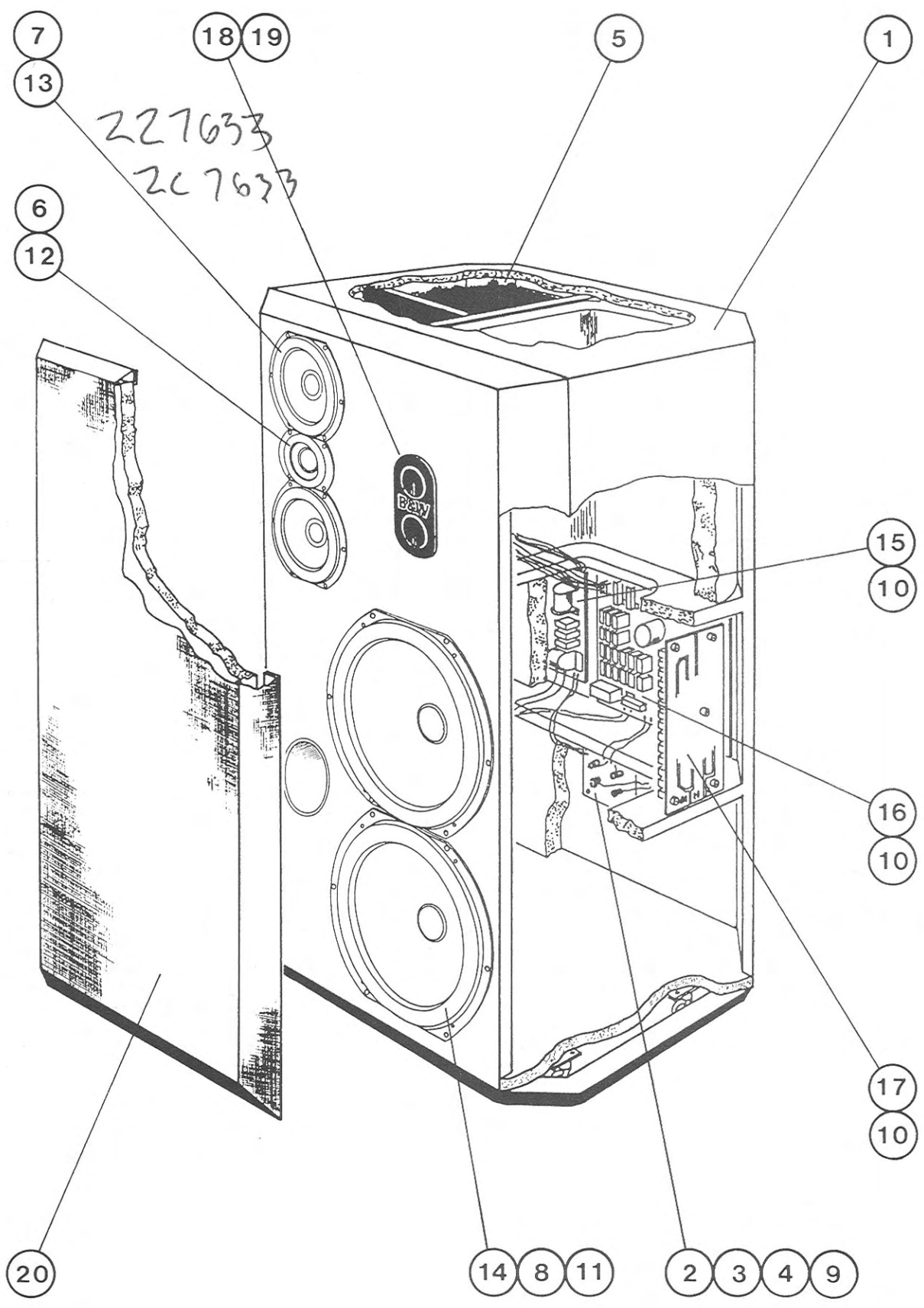


# **B&W MODEL 808**

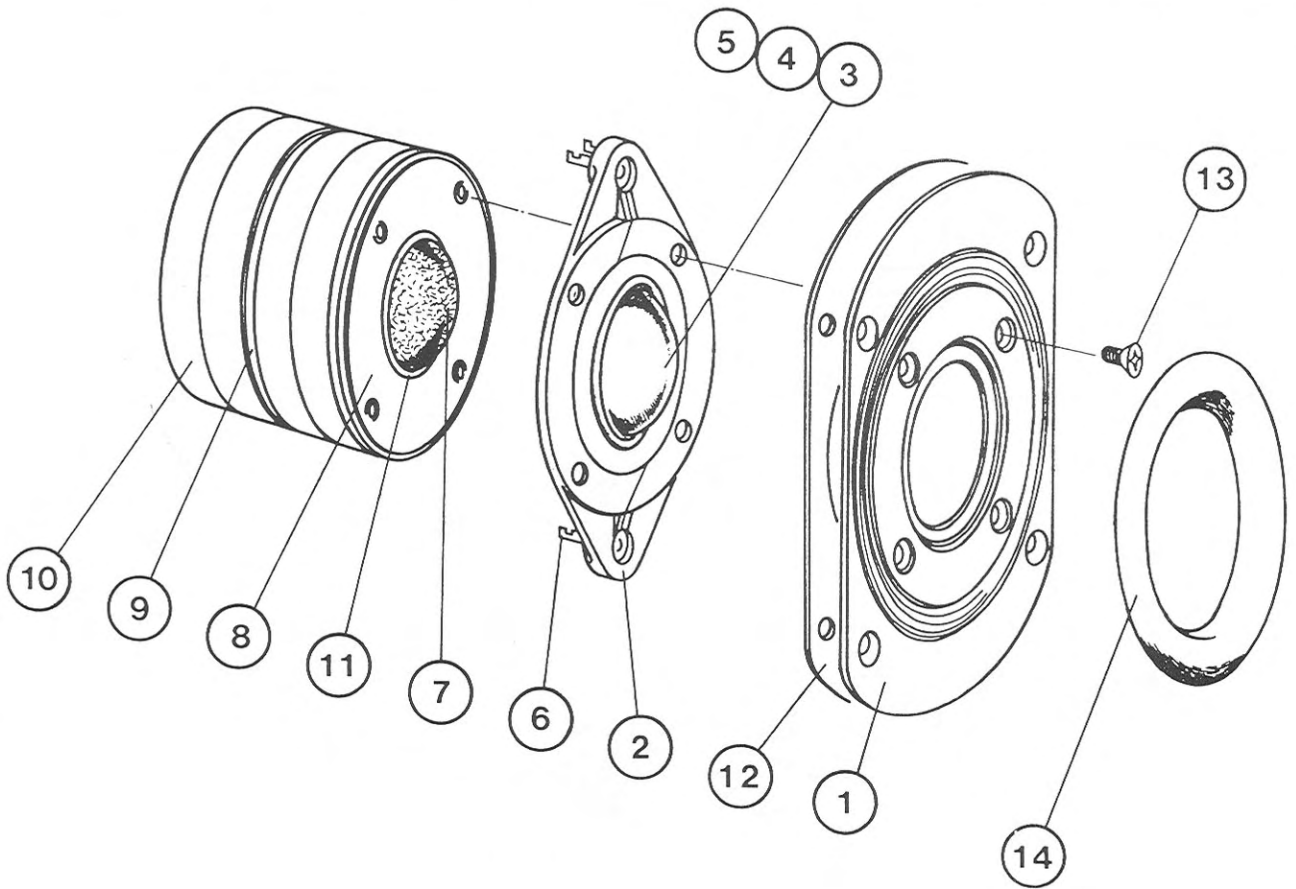


REPLACEMENT PARTS MANUAL



ITEM	QTY.	CODE No.	DESCRIPTION
-	-	MODEL 808 W	COMPLETE ASSEMBLY - WALNUT
		MODEL 808 R	" " - ROSEWOOD
		MODEL 808 B	" " - BLACK ASH
		MODEL 808 O	" " - NATURAL OAK
----- CABINET AND ACCESORIES -----			
1	1	YY 340	CABINET ASSEMBLY - WALNUT
-	-	YY 341	" " - ROSEWOOD
-	-	YY 342	" " - BLACK ASH
-	-	YY 343	" " - NATURAL OAK
			COMPRISING OF :- CABINET PLINTH COVER PANEL - REAR VENT PORT TUBE - FRONT FOAM LINING CASTORS GRILLE RETAINING SOCKETS
2	1	ZZ 774	TERMINAL PLATE - BLACK - COMPLETE WITH TERMINALS
3	3	TL 079	TERMINAL POST - RED
-	3	TL 080	" " - BLACK
4	4	TL 082	TERMINAL CONNECTING PLATE
5	-	-	WOOL
6	4	HW 102	HIGH FREQUENCY UNIT RETAINING SCREW
7	12	HW 103	MIDRANGE UNIT RETAINING SCREW
8	12	HW 189	LOW FREQUENCY UNIT RETAINING SCREW
9	6	HW 008	TERMINAL PLATE RETAINING SCREW
10	15	HW 013	P.C.BOARD RETAINING SCREW
11	12	HW 531	WASHER
12	1	ZZ 761	HIGH FREQUENCY UNIT - BLACK
13	2	ZZ 763	MIDRANGE UNIT MT 100 - BLACK
14	2	ZZ 765	LOW FREQUENCY UNIT BT 300 - BLACK
15	1	ZZ 768	HIGH FREQUENCY CROSSOVER P.C.BOARD
16	1	ZZ 767	MIDRANGE CROSSOVER P.C.BOARD
17	1	ZZ 766	LOW FREQUENCY CROSSOVER P.C.BOARD
18	1	-	ENVIROMENTAL CONTROLS
		ZZ 770	SWITCH PLATE-BLACK-COMPLETE WITH ROTARY SWITCHES,WIRING HARNESSSES & L.E.D.
19	2	KW 006	CONTROL KNOB
----- GRILLE ASSEMBLY -----			
20	1	ZZ 781	COMPLETE GRILLE - BROWN
-	-	ZZ 782	" " - BLACK
			COMPRISING OF :- GRILLE FRAME RETAINING PEG FOAM PAD CLOTH CLIPS

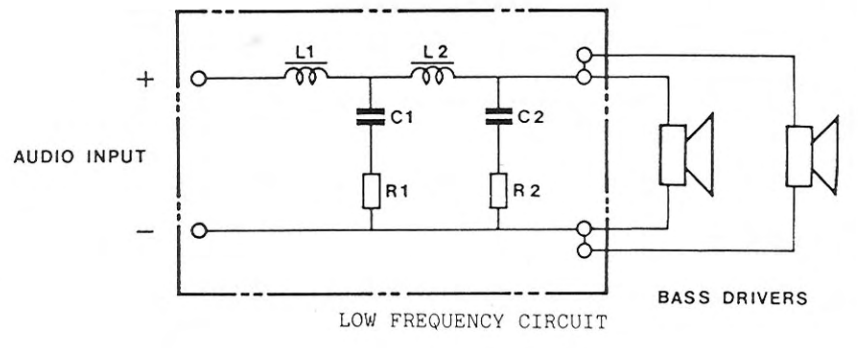
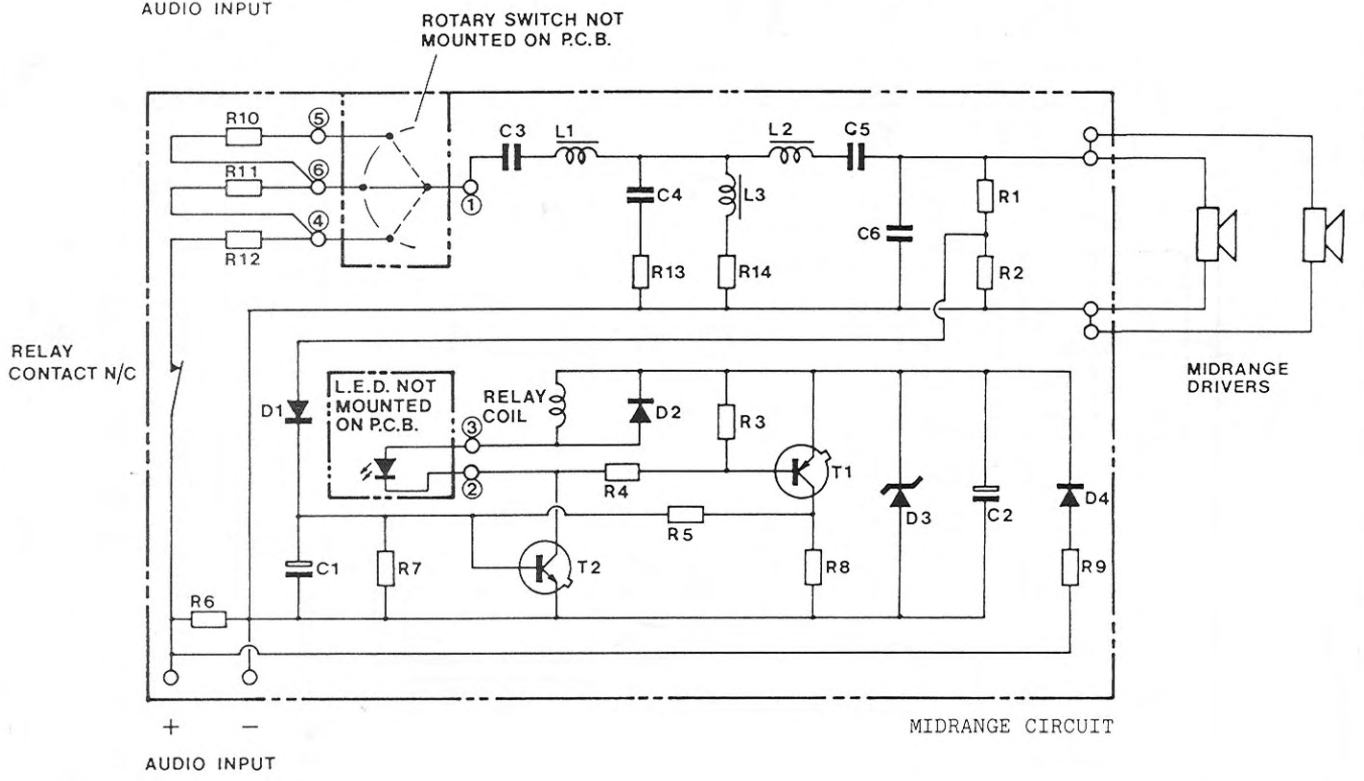
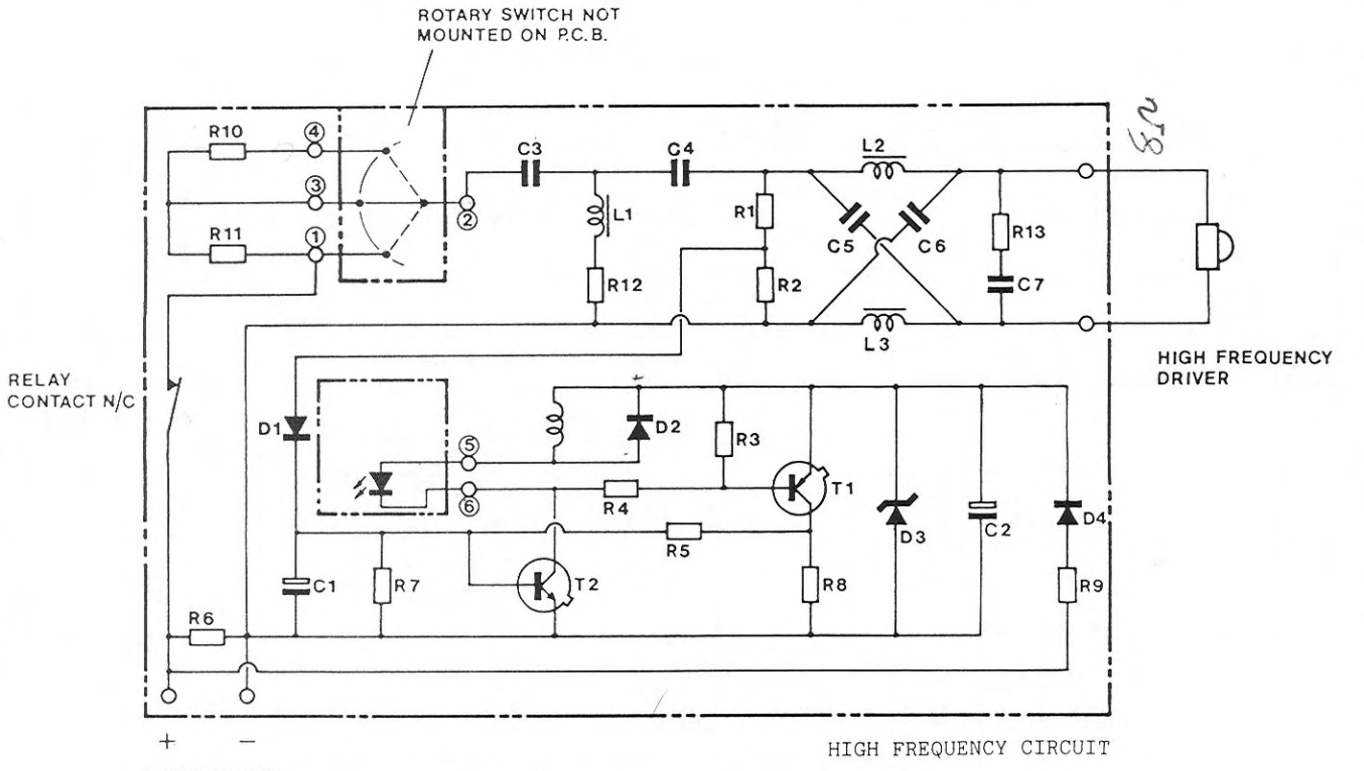
ITEM	QTY.	CODE No.	DESCRIPTION
-	-	MODEL 808 W	COMPLETE ASSEMBLY - WALNUT
		MODEL 808 R	" " - ROSEWOOD
		MODEL 808 B	" " - BLACK ASH
		MODEL 808 O	" " - NATURAL OAK
----- CABINET AND ACCESORIES -----			
1	1	YY 340	CABINET ASSEMBLY - WALNUT
-	-	YY 341	" " - ROSEWOOD
-	-	YY 342	" " - BLACK ASH
-	-	YY 343	" " - NATURAL OAK
			COMPRISING OF :- CABINET PLINTH COVER PANEL - REAR VENT PORT TUBE - FRONT FOAM LINING CASTORS GRILLE RETAINING SOCKETS
2	1	ZZ 774	TERMINAL PLATE - BLACK - COMPLETE WITH TERMINALS
3	3	TL 079	TERMINAL POST - RED
-	3	TL 080	" " - BLACK
4	4	TL 082	TERMINAL CONNECTING PLATE
5	-	-	WOOL
6	4	HW 102	HIGH FREQUENCY UNIT RETAINING SCREW
7	12	HW 103	MIDRANGE UNIT RETAINING SCREW
8	12	HW 189	LOW FREQUENCY UNIT RETAINING SCREW
9	6	HW 008	TERMINAL PLATE RETAINING SCREW
10	15	HW 013	P.C.BOARD RETAINING SCREW
11	12	HW 531	WASHER
12	1	ZZ 761	HIGH FREQUENCY UNIT - BLACK
13	2	ZZ 763	MIDRANGE UNIT MT 100 - BLACK
14	2	ZZ 765	LOW FREQUENCY UNIT BT 300 - BLACK
15	1	ZZ 768	HIGH FREQUENCY CROSSOVER P.C.BOARD
16	1	ZZ 767	MIDRANGE CROSSOVER P.C.BOARD
17	1	ZZ 766	LOW FREQUENCY CROSSOVER P.C.BOARD
18	1	-	ENVIROMENTAL CONTROLS
		ZZ 770	SWITCH PLATE-BLACK-COMPLETE WITH ROTARY SWITCHES,WIRING HARNESSSES & L.E.D.
19	2	KW 006	CONTROL KNOB
----- GRILLE ASSEMBLY -----			
20	1	ZZ 781	COMPLETE GRILLE - BROWN
-	-	ZZ 782	" " - BLACK
			COMPRISING OF :- GRILLE FRAME RETAINING PEG FOAM PAD CLOTH CLIPS



ITEM	QTY.	CODE No.	DESCRIPTION
-	-	ZZ 761	HIGH FREQUENCY UNIT - COMPLETE ASSEMBLY - BLACK
1	1	CL 550	FRONT PLATE - BLACK
2	1	DL 083	MOUNTING PLATE FOR DIAPHRAGM AND COIL
3	1	DL 084	DIAPHRAGM
4	1	CL 708	COIL AND COIL FORMER COMPLETE
5	-	SL 331	SLEEVING
6	2	TL 065	BRASS TAG
7	1	DL 041	FELTED DOME
8	1	PL 052	TOP PLATE
9	1	PL 053	BACK PLATE AND POLE PIECE ASSEMBLY
10	4	ML 007	MAGNET
11	-	AL 049	FERRO FLUID
12	1	GL 019	GASKET
13	4	HL 128	COUNTERSUNK HEAD SCREW
14	1	PL 319	MOULDING





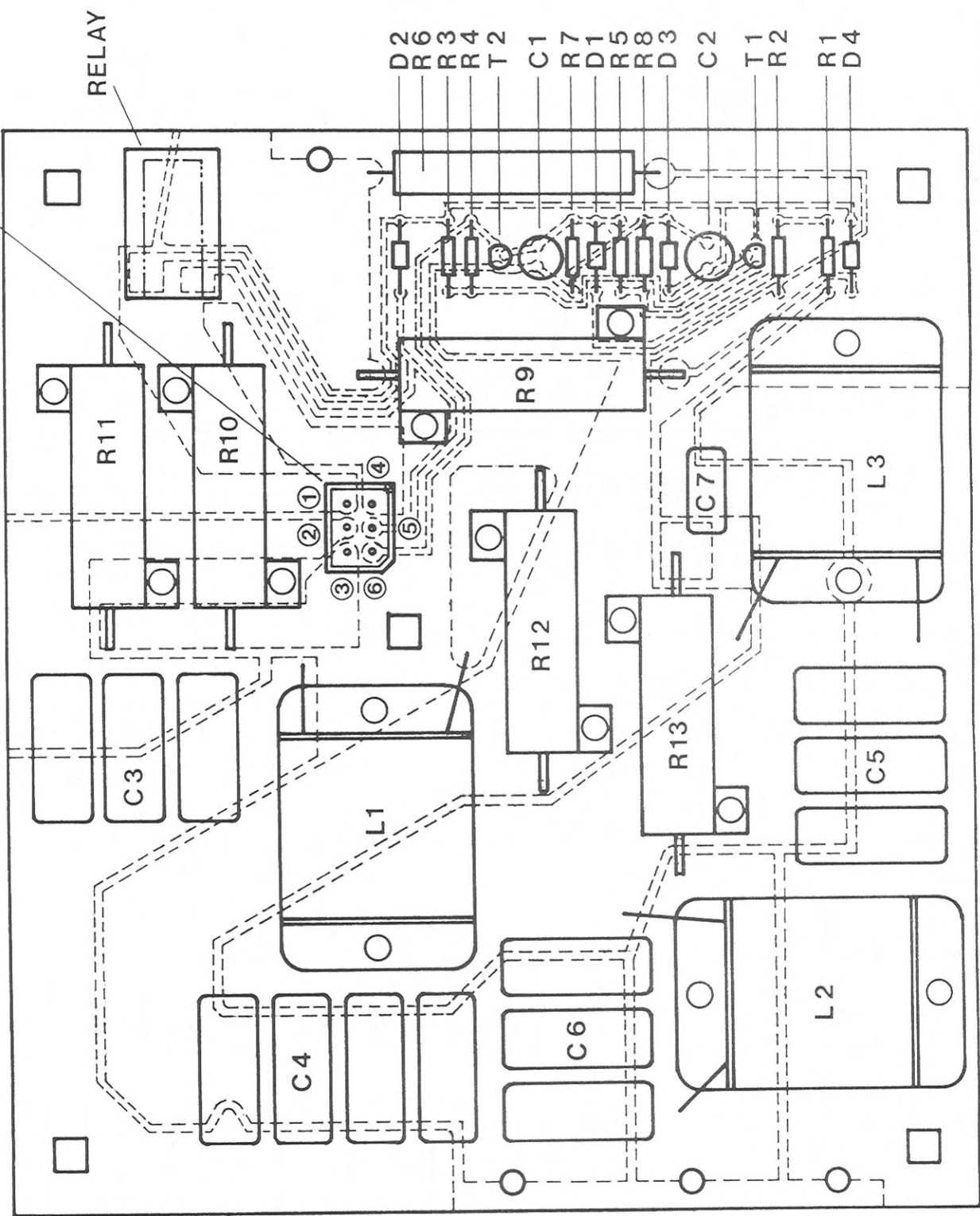


ENCIRCLED NUMBERS DENOTE MOLEX PIN CONNECTIONS.  
 CIRCUIT WITHIN CHAIN-DOT OUTLINE IS MOUNTED ON THE P.C.B.



SEE SHEET 2 FOR  
COMPONENT LIST.

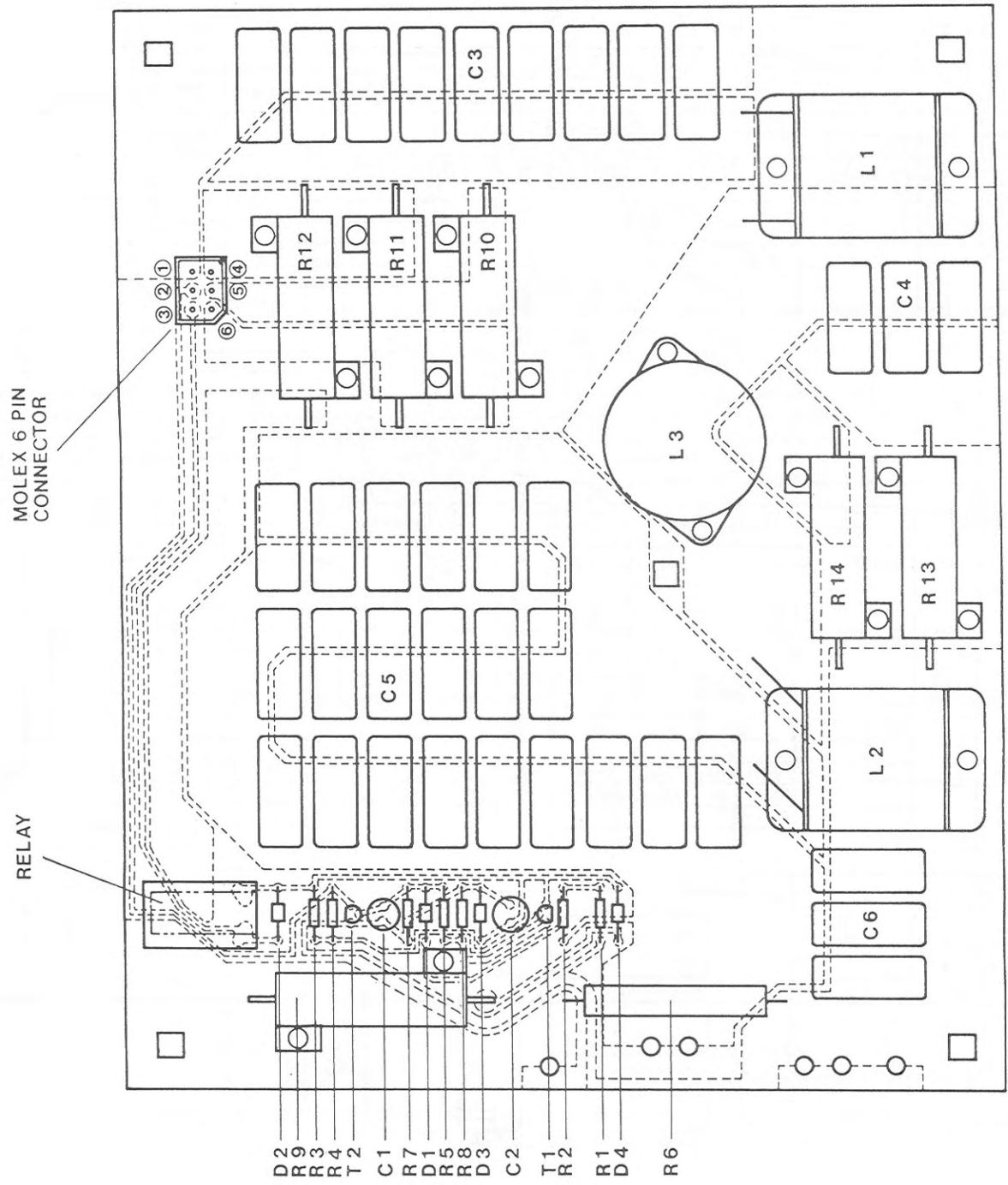
MOLEX 6 PIN  
CONNECTOR



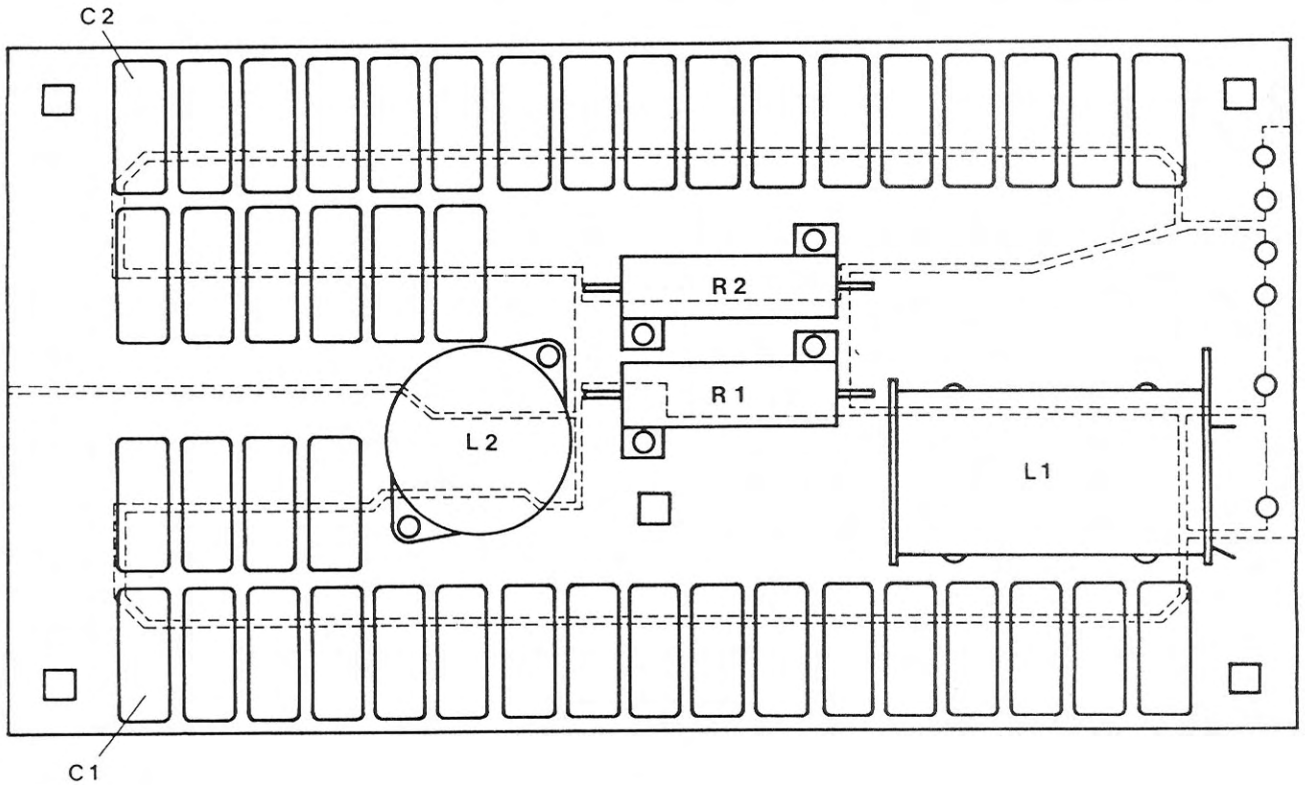
ITEM	QTY.	CODE No.	DESCRIPTION			
C1	1		CAPACITOR	47.0 $\mu$ F	16.0 V	
C2	1		"	100.0 $\mu$ F	16.0 V	
C3	1		"	6.0 $\mu$ F		total component value $\pm$ 5%
C4	1		"	10.0 $\mu$ F		" " " "
C5	1		"	8.8 $\mu$ F		" " " "
C6	1		"	8.8 $\mu$ F		" " " "
C7	1		"	1.0 $\mu$ F		" " " "
D1	1		DIODE	IN 4004		
D2	1		"	IN 4004		
D3	1		"	IN 5352 B	15.0 V	5.0 W
D4	1		"	IN 4004		
L1	1		INDUCTOR	0.2 mH		1.25 mm dia. wire. cored.
L2	1		"	0.32 mH		" " " "
L3	1		"	0.32 mH		" " " "
R1	1		RESISTOR	47.0 K $\Omega$	0.5 W	
R2	1		"	3.3 K $\Omega$	0.5 W	
R3	1		"	10.0 K $\Omega$	0.5 W	
R4	1		"	47.0 K $\Omega$	0.5 W	
R5	1		"	10.0 K $\Omega$	0.5 W	
R6	1		"	1.0 K $\Omega$	11.0 W	ceramic
R7	1		"	10.0 K $\Omega$	0.5 W	
R8	1		"	100.0 K $\Omega$	0.5 W	
R9	1		"	100.0 $\Omega$	50.0 W	aluminium clad
R10	1		"	1.0 $\Omega$	50.0 W	" "
R11	1		"	1.0 $\Omega$	50.0 W	" "
R12	-	---	position on p.c.b. shorted, no resistor used.			
R13	1		RESISTOR	10.0	50.0 W	aluminium clad.
T1	1		TRANSISTOR	307 A	or	BC 177 A
T2	1		"	237 A	or	BC 107 A
	1		PIN AND SOCKET WAFER "MOLEX" 6 TERMINAL PATTERN. ORDER No. 10 - 18 - 1061 ENG. No. AE - 3099 P - 6A			
	1		RELAY	6.0 V	10.0 A	350.0

COMPLETE CROSSOVER BOARD AND HARNESS. CODE No. ZZ 768

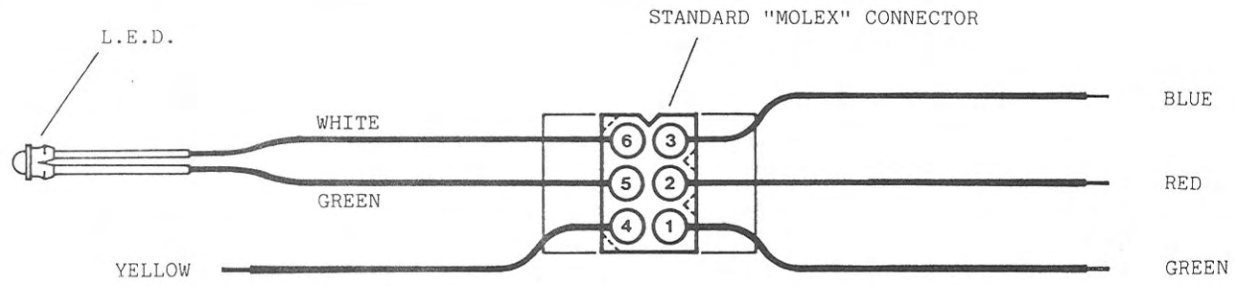
SEE SHEET 2 FOR  
COMPONENT LIST.



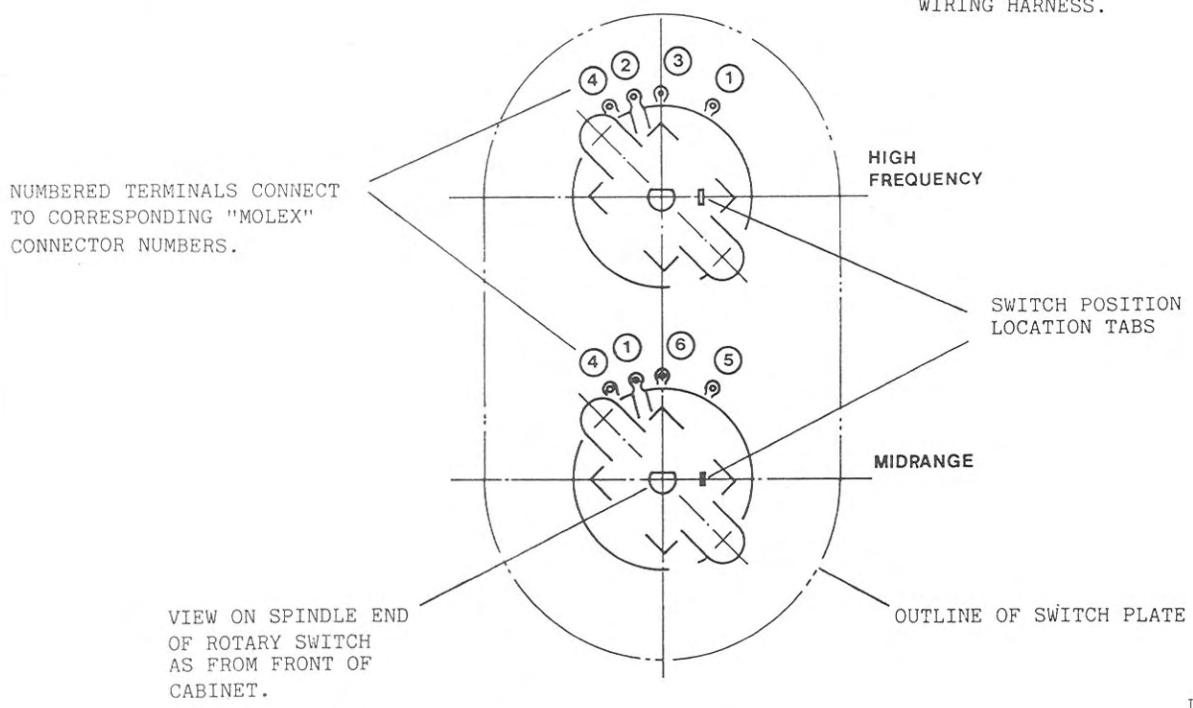
ITEM	QTY.	CODE No.	DESCRIPTION					
C1	1		CAPACITOR	47.0 $\mu$ F	16.0 V			
C2	1		"	100.0 $\mu$ F	16.0 V			
C3	1		"	37.0 $\mu$ F		total component value	$\pm$ 5%	
C4	1		"	8.0 $\mu$ F		"	"	
C5	1		"	95.0 $\mu$ F		"	"	
C6	1		"	11.0 $\mu$ F		"	"	
D1	1		DIODE	IN 4004				
D2	1		"	IN 4004				
D3	1		"	IN 5352 B	15.0 V	5.0 W		
D4	1		"	IN 4004				
L1	1		INDUCTOR	0.7 mH		1.25 mm dia. wire.	cored.	
L2	1		"	0.4 mH		"	"	
L3	1		"	1.5 mH		"	"	
R1	1		RESISTOR	3.3 K $\Omega$	0.5 W			
R2	1		"	56.0 K $\Omega$	0.5 W			
R3	1		"	10.0 K $\Omega$	0.5 W			
R4	1		"	47.0 K $\Omega$	0.5 W			
R5	1		"	10.0 K $\Omega$	0.5 W			
R6	1		"	1.0 K $\Omega$	11.0 W	ceramic.		
R7	1		"	10.0 K $\Omega$	0.5 W			
R8	1		"	100.0 K $\Omega$	0.5 W			
R9	1		"	100.0 $\Omega$	50.0 W	aluminium clad.		
R10	1		"	1.0 $\Omega$	50.0 W	"	"	
R11	1		"	1.0 $\Omega$	50.0 W	"	"	
R12	1		"	1.0 $\Omega$	50.0 W	"	"	
R13	1		"	5.0 $\Omega$	50.0 W	"	"	
R14	1		"	0.5 $\Omega$	50.0 W	"	"	
T1	1		TRANSISTOR	307 A	or	BC 177 A		
T2	1		"	237 A	or	BC 107 A		
	1		PIN AND SOCKET WAFER "MOLEX" 6 TERMINAL PATTERN. ORDER No. 10-18 1061					
			ENG. No. AE-3099 P-6A					
	1		RELAY	6.0 V	10.0 A	350.0		



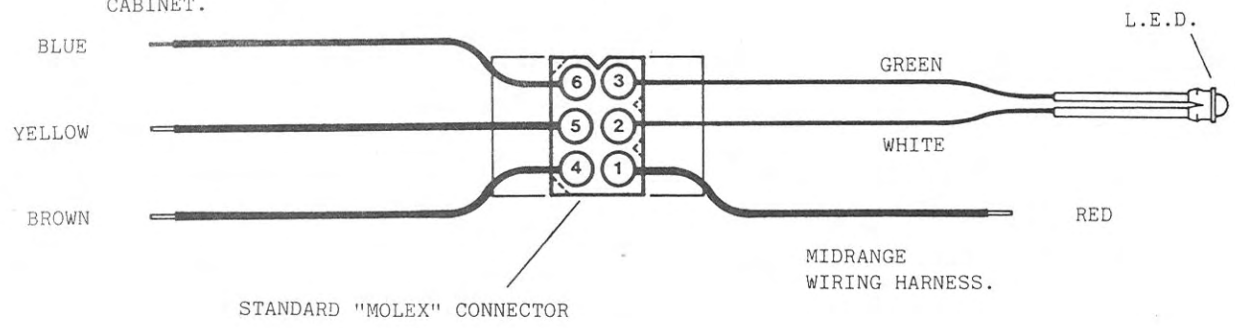
ITEM	QTY.	CODE No.	DESCRIPTION			
C1	1		CAPACITOR	90.0 $\mu$ F	total component value $\pm$ 5%	
C2	1		"	100.0 $\mu$ F	" " " "	
L1	1		INDUCTOR	3.7 mH	1.25 mm dia. wire. cored.	
L2	1		"	2.1 mH	" " " "	
R1	1		RESISTOR	1.0 $\Omega$	50.0 W	aluminium clad.
R2	1		"	1.0 $\Omega$	50.0 W	" "



HIGH FREQUENCY WIRING HARNESS.

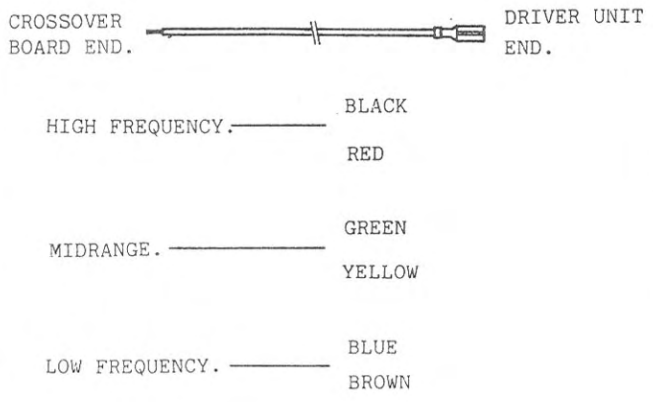


VIEW ON SPINDLE END OF ROTARY SWITCH AS FROM FRONT OF CABINET.



MIDRANGE WIRING HARNESS.

COLOUR CODING OF 2.5 mm (50/0.25) P.V.C. INSULATED WIRE BETWEEN CROSSOVER BOARD AND DRIVER UNIT.



COLOUR CODING OF 2.5 mm (50/0.25) P.V.C. INSULATED WIRE BETWEEN CROSSOVER BOARD AND INPUT TERMINALS.

